

All Series spin-on fuel filter/water separators feature multiple fuel ports and a unitized mounting bracket for installation convenience. Inlet and outlet threads are 3/8"-18 NPTF for all models. These filter assemblies provide flexibility during mounting and fit any engine application.

Also included are spin-on contaminant collection bowls. The clear bowls used with these filters will not discolor from alcohol, additives, or UV light and have a leak-proof, positive seal and self-venting drain for easy servicing. Water and contamination levels can be seen easily at a glance.

Additional features include spin-on high capacity, Aquabloc® II replaceable filter elements which stop water, remove solid contamination, and are available in 30 micron. Filtration needs should be based on application, fuel quality, operating climates, and maintenance schedules.



60R



90R



Element filtration water fuel separator



www.jabbourdatakom.com
info@jabbourpower.com

Jabbour DataKom sarl (JDK)

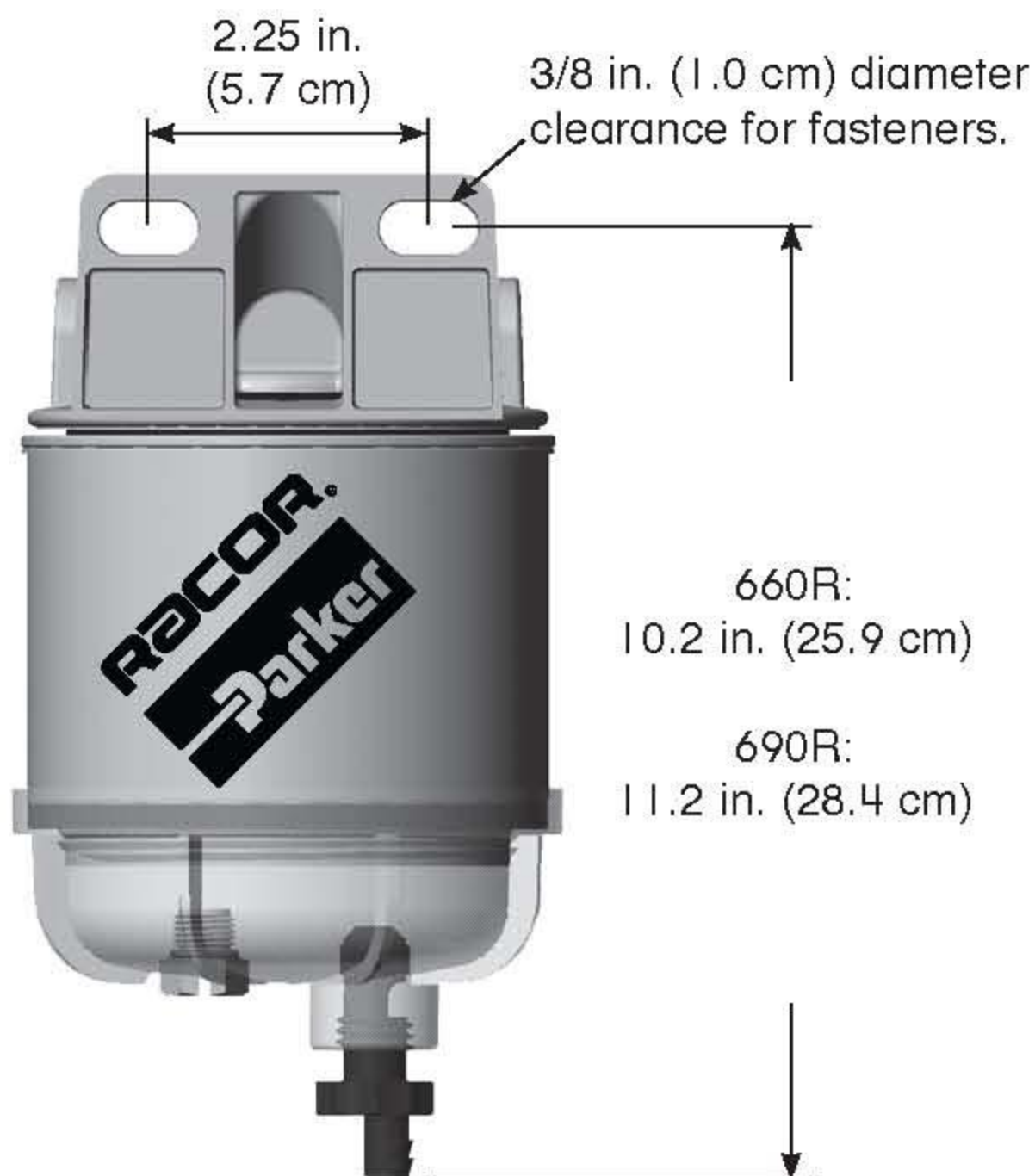


Specifications		60R	90R	
Maximum Flow Rate		60 GPH (227 LPH)	90 GPH (341 LPH)	
Port Size (SAE J476)		3/8"-18 NPTF	3/8"-18 NPTF	
Min. Service Clearance		2.0 in. (5.1 cm)	2.0 in. (5.1 cm)	
Center Threads		1"-14	1"-14	
Height		10.2 in. (25.9 cm)	11.2 in. (28.4 cm)	
Depth		4.5 in. (11.4 cm)	4.5 in. (11.4 cm)	
Width		4.5 in. (11.4 cm)	4.5 in. (11.4 cm)	
Weight (dry)		2.6 lb (1.18 kg)	2.7 lb (1.22 kg)	
Clean Pressure Drop		0.05 PSI (0.003 bar)	0.29 PSI (0.02 bar)	
Max. Allowable Pressure¹		30 PSI (2.07 bar)	30 PSI (2.07 bar)	
Bowl Capacity (water) (with heater)		4.0 oz. (118 ml) 3.5 oz. (104 ml)	4.0 oz. (118 ml) 3.5 oz. (104 ml)	
H₂O Removal Efficiency		99%		
Operating Temperature		-40° to +255°F (-40° to +124°C)		

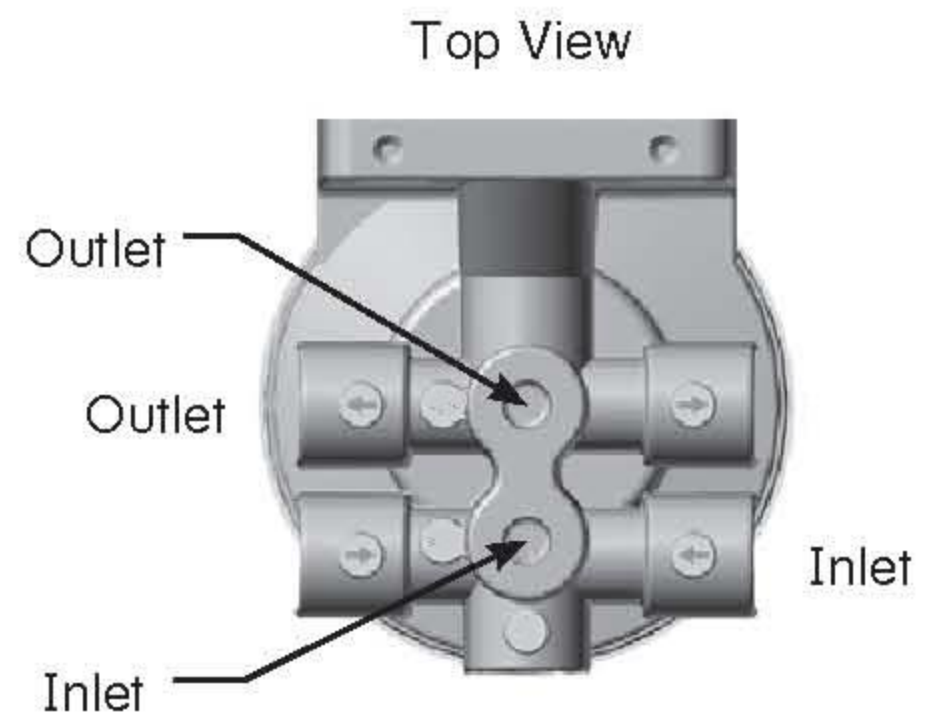
¹ Pressure installations are applicable up to maximum PSI shown. Vacuum installations are recommended.

How to Order

Replacement Elements	
Model Number	30 Micron (Primary Filtration)
90R	R90P
60R	R60P

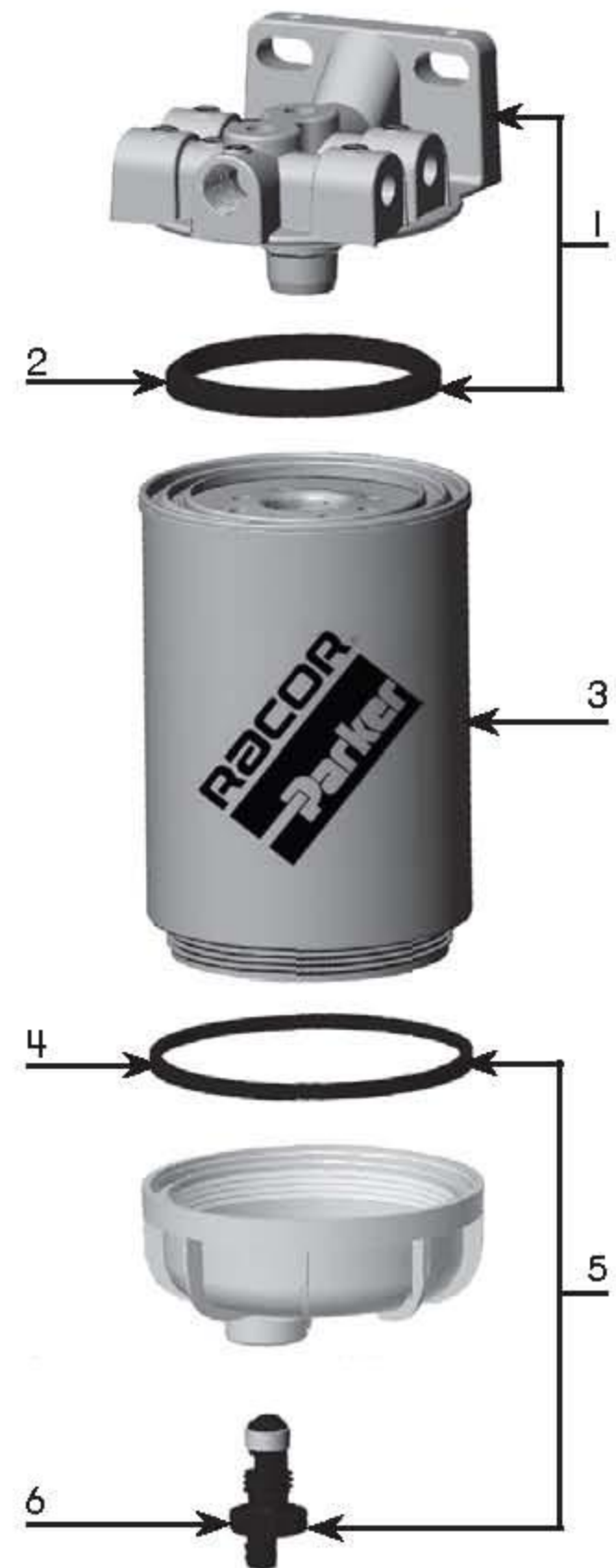


Mounting Information

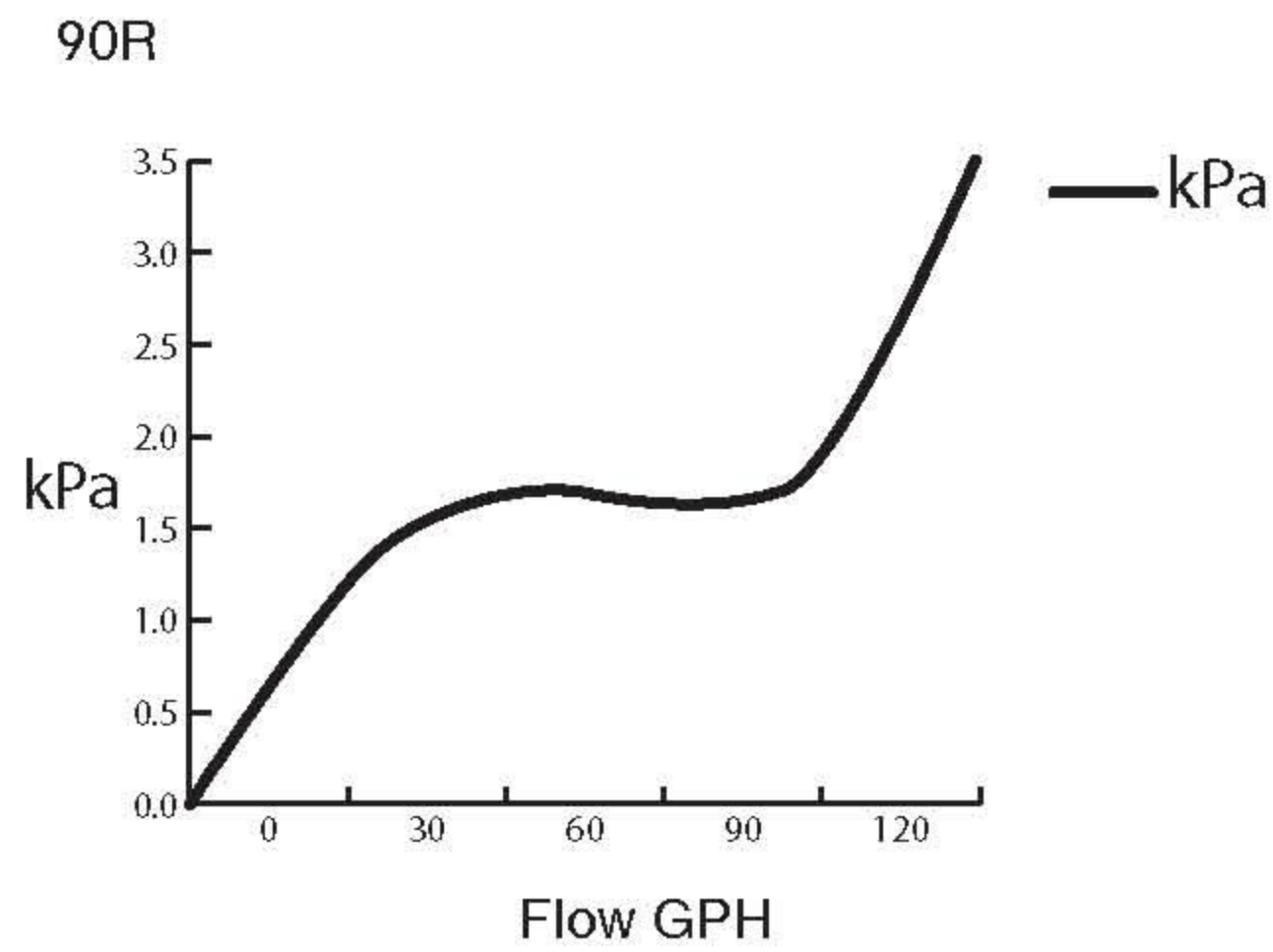
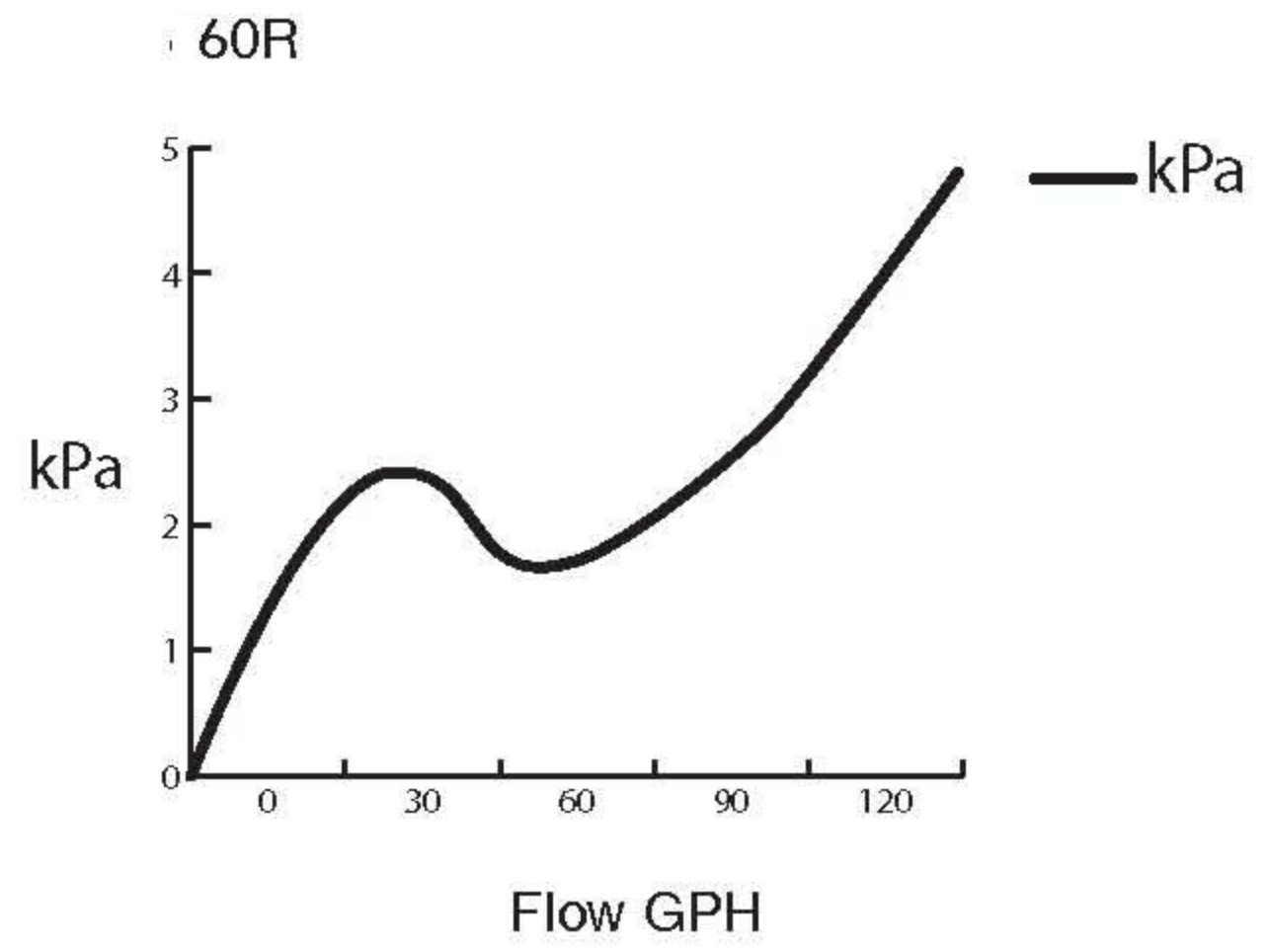


Replacement Parts

- | | Description |
|----|--|
| 1. | Mounting Head Kit (3/8"-18 NPTF)
(includes #2 & Plug Kit 3/8" NPT)
Mounting Head Kit (Metric)
(16 mm X 1.5) (includes #2) |
| 2. | Element Gasket Kit |
| 3. | See Replacement Element Chart |
| 4. | Bowl Gasket Kit |
| 5. | Replacement Bowl Kits |
| 6. | Drain Valve Assembly Kit |



Test Data



Test results are from controlled laboratory testing. Field results may vary.
(PSI X 2.036 = inHG) (PSI X 6.895 = kPa)